



Ex solenoid interlock Ex STM 515 11/11 A L Material no.: 1210232

Product features

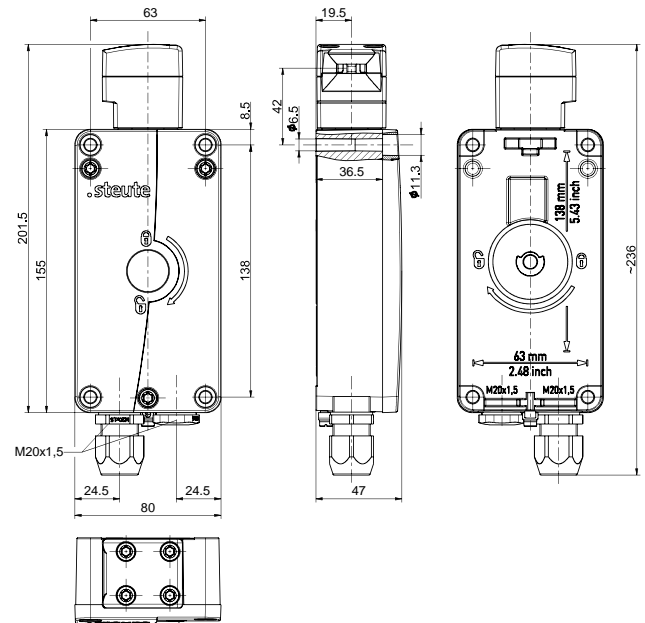


- Ex zone 1 and 21
- High degree of protection IP66
- Corrosion-resistant aluminium enclosure
- Wiring compartment
- Power-to-lock principle
- Actuator head can be repositioned by 4 x 90°

Notes

- The actuator is not included in the delivery of the switches
- 1 additional cable gland M20x1.5 is included in delivery

Dimensions



Technical data

Applied standards

EN 60947-5-1, EN IEC 60079-0, EN 60079-1, EN IEC 60079-7, EN 60079-18, EN 60079-31, EN ISO 14119, EN ISO 13849-1

Enclosure

aluminium die-cast, corrosion-resistant, shockproof, powder-coated, passivated, anthracite grey, similar to RAL 7016

Cover

aluminium die-cast, corrosion-resistant, shockproof, powder-coated, passivated, signal yellow, similar to RAL 1003

Actuator head

thermoset, glass-fibre reinforced, shockproof, self-extinguishing UL 94 V-0

Screws

stainless steel

Switch type

type 2

Coding level

low coding

Tightening torque

cover screws: max. 2.5 Nm
enclosure mounting screws: 8 Nm
switch inserts M3 screw connection terminals: min. 0.6 Nm
solenoid M3.5 screw connection terminals: min. 0.8 Nm

Degree of protection

IP66/IP67 (IEC/EN 60529)

B_{10d} (10 % load)

2 million

T_M

max. 20 years

Mounting

4 x M6 cylinder head screw (e.g. DIN 912 / ISO 4762)

Mounting position

possible

Safety class

I

Switching system

slow action, positive break NC contacts \ominus

Switching elements

1 NC/1 NO contact + 1 NC/1 NO contact, type Zb

Switch insert

2 x Ex 95

Contact material

silver

Connection

screw connection terminals

Errors and omissions excepted.



Ex solenoid interlock Ex STM 515 11/11 A L Material no.: 1210232

Technical data (contd.)

Cable cross-section

solenoid: 0.2 ... 1.5 mm² (AWG 24 ... 16)
switch inserts: 0.75 ... 1.5 mm² (AWG 18 ... 16)

Clamping range

7 ... 12 mm

Cable entry

2 x M20 x 1.5

Rated insulation voltage U_i

250 V

Rated impulse withstand voltage U_{imp}

4 kV

Conventional thermal current I_{the}

6 A

Conditional short-circuit current

1000 A

Utilisation category

AC-15; DC-13

Rated operating current/voltage I_e/U_e

enabling/signalling contacts: 6 A/250 VAC; 0.25 A/230 VDC;
direct-current solenoid: 0.08 A / 24 VDC +10 %/-15 %

Short-circuit protection

6 A gG/gN fuse;
direct-current solenoid: 2 A (slow blow)

Power consumption

<2.5 W (continuous operation), max. 47 W (for 250 ms)

Locking force F_{max}

5500 N

Locking force F_{Zh}

4000 N

Actuating speed V

≤ 0.3 m/s

Actuating force / Latching force

≥ 40 N (retraction and extension of actuator)

Operation cycles

max. 900/h

Mechanical life

1 million operations

Impact energy

max. 7 J

Ambient temperature

-20 °C ... +55 °C

Degree of pollution

3

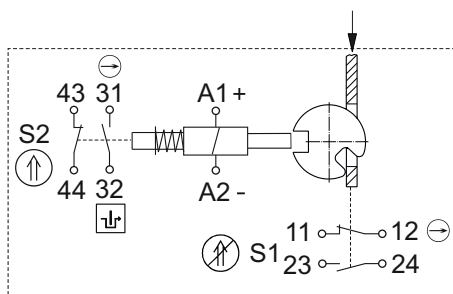
Ex marking

⊕ II 2G Ex db eb mb IIC T4 Gb,
⊕ II 2D Ex tb IIIC T100°C Db

Approvals

BVS 23 ATEX E 025 X
IECEX BVS 23.0013X

Contact diagram



⊕ positive break

⊕ actuated

⊕ not actuated

⊕ monitoring of the guard-lock to EN ISO 14119

Errors and omissions excepted.