



Ex solenoid interlock Ex STM 515 11/11 R FE L Material no.: 1315086

Product features

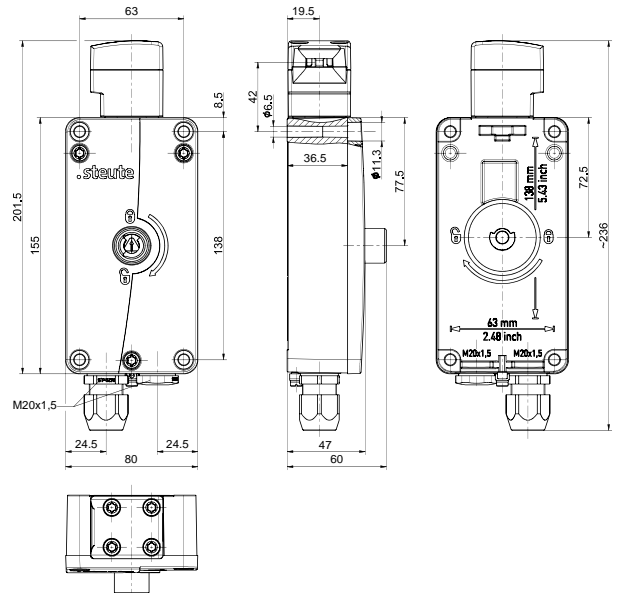


- Ex zone 1 and 21
- High degree of protection IP66
- Corrosion-resistant aluminium enclosure
- Wiring compartment
- Spring-to-lock principle
- Actuator head can be repositioned by 4 x 90°
- FE: Auxiliary release front side (release by turning with a triangular key M5)

Notes

- The actuator is not included in the delivery of the switches
- 1 additional cable gland M20x1.5 is included in delivery

Dimensions



Technical data

Applied standards

EN 60947-5-1, EN IEC 60079-0, EN 60079-1, EN IEC 60079-7, EN 60079-18, EN 60079-31, EN ISO 14119, EN ISO 13849-1

Enclosure

aluminium die-cast, corrosion-resistant, shockproof, powder-coated, passivated, anthracite grey, similar to RAL 7016

Cover

aluminium die-cast, corrosion-resistant, shockproof, powder-coated, passivated, signal yellow, similar to RAL 1003

Actuator head

thermoset, glass-fibre reinforced, shockproof, self-extinguishing UL 94 V-0

Screws

stainless steel

Switch type

type 2

Coding level

low coding

Tightening torque

cover screws: max. 2.5 Nm
enclosure mounting screws: 8 Nm
switch inserts M3 screw connection terminals: min. 0.6 Nm
solenoid M3.5 screw connection terminals: min. 0.8 Nm

Degree of protection

IP66/IP67 (IEC/EN 60529)

B_{10d} (10 % load)

2 million

T_M

max. 20 years

Mounting

4 x M6 cylinder head screw (e.g. DIN 912 / ISO 4762)

Mounting position

possible

Safety class

I

Switching system

slow action, positive break NC contacts ⊖

Switching elements

1 NC/1 NO contact + 1 NC/1 NO contact, type Zb

Switch insert

2 x Ex 95

Contact material

silver

Connection

screw connection terminals

Cable cross-section

solenoid: 0.2 ... 1.5 mm² (AWG 24 ... 16)
switch inserts: 0.75 ... 1.5 mm² (AWG 18 ... 16)

Errors and omissions excepted.

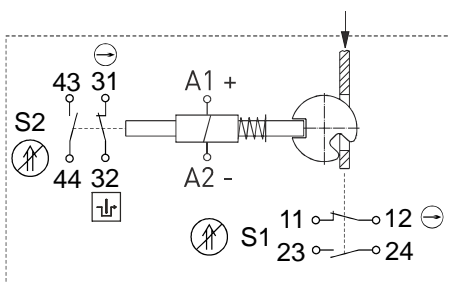


Ex solenoid interlock Ex STM 515 11/11 R FE L Material no.: 1315086

Technical data (contd.)

Clamping range 7 ... 12 mm	Locking force F_{Zh} 4000 N
Cable entry 2 x M20 x 1.5	Actuating speed V ≤ 0.3 m/s
Rated insulation voltage U_i 250 V	Actuating force / Latching force ≥ 40 N (retraction and extension of actuator)
Rated impulse withstand voltage U_{imp} 4 kV	Operation cycles max. 900/h
Conventional thermal current I_{the} 6 A	Mechanical life 1 million operations
Conditional short-circuit current 1000 A	Impact energy max. 7 J
Utilisation category AC-15; DC-13	Ambient temperature $-20^\circ\text{C} \dots +55^\circ\text{C}$
Rated operating current/voltage I_e/U_e enabling/signalling contacts: 6 A/250 VAC; 0.25 A/230 VDC; direct-current solenoid: 0.08 A / 24 VDC +10 %/-15 %	Degree of pollution 3
Short-circuit protection 6 A gG/gN fuse; direct-current solenoid: 2 A (slow blow)	Ex marking Ⓜ II 2G Ex db eb mb IIC T4 Gb, Ⓜ II 2D Ex tb IIIC T100°C Db
Power consumption <2.5 W (continuous operation), max. 47 W (for 250 ms)	Approvals BVS 23 ATEX E 025 X IECEX BVS 23.0013X
Locking force F_{max} 5500 N	

Contact diagram



- ⊖ positive break
- Ⓜ actuated
- Ⓜ not actuated
- Ⓜ monitoring of the guard-lock to EN ISO 14119

Errors and omissions excepted.