



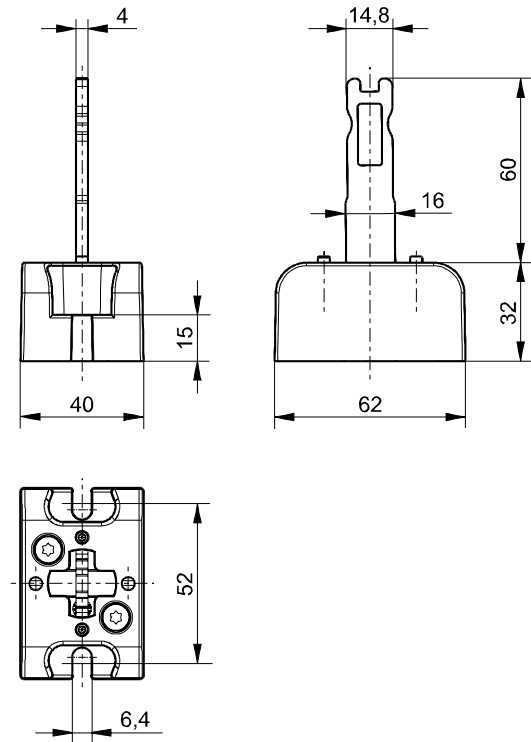
## Accessories for Ex STM 515 Flexible actuator STM 515-B6 Material no.: 1317453

### Product features



- Especially suitable for sliding and hinged guards
- Actuating radius adjustable

### Dimensions



### Technical data

**Actuator**  
stainless steel / thermoset

**Tightening torque**  
Mounting screws M6: 8 Nm

**Actuating speed**  
 $\leq 0.3$  m/s

Errors and omissions excepted.