



Position switch

EM 61 D 1Ö/1S

Material no.: 1047891 (material no. old: 61121001)

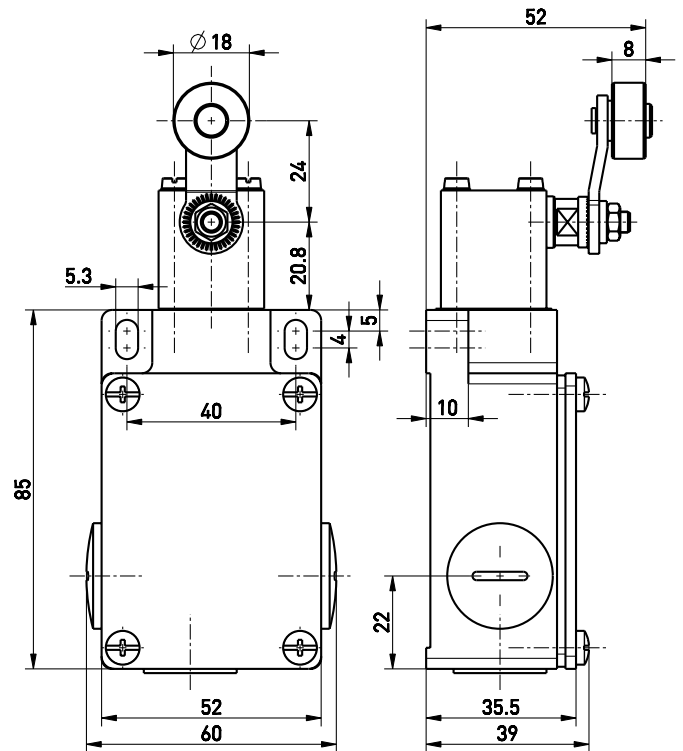
Product features

- Metal enclosure
- Snap action
- 3 cable entries M20 x 1.5
- Actuator: Rocking lever D
- Actuating speed max. 0.5 m/s with a vertical actuating angle of 45°
- Wear-resistant plastic roller
- Lever can be repositioned in 10° steps clockwise or counter-clockwise
- Actuator can be repositioned by 180°

Notes

- With metal roller available on request

Dimensions



Technical data

Applied standards

EN 60947-5-1

Enclosure

aluminium die-cast, powder-coated

Degree of protection

IP65 (IEC/EN 60529)

Contact material

silver

Switching system

snap action

Switching elements

1 NC/1 NO contact, type Zb

Connection

screw connection terminals

Cable cross-section

max. 2.5 mm² (incl. conductor ferrules)

Cable entry

3 x M20 x 1.5

Rated impulse withstand voltage U_{imp}

6 kV

Rated insulation voltage U_i

400 V

Conventional thermal current I_{the}

6 A

Utilisation category

AC-15

Rated operating current/voltage I_e/U_e

6 A/400 VAC

Short-circuit protection

6 A gG/gN fuse

Mechanical life

> 1 million operations

Operation cycles

max. 3600/h

Ambient temperature

-20 °C ... +80 °C

Repeat accuracy of switching points

± 0.1 mm

Errors and omissions excepted.



Position switch

EM 61 D 1Ö/1S

Material no.: 1047891 (material no. old: 61121001)

Technical data (contd.)

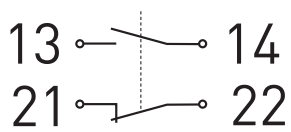
Approvals



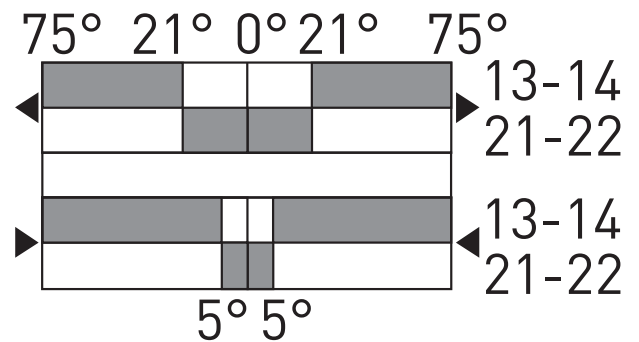
Weight

360 g

Contact diagram



Switching diagram



Errors and omissions excepted.