



## Ex position switch with safety function

Ex 13 WHL IÖ/1S - 5m

Material no.: 1045130 (material no. old: 13016906)

### Product features

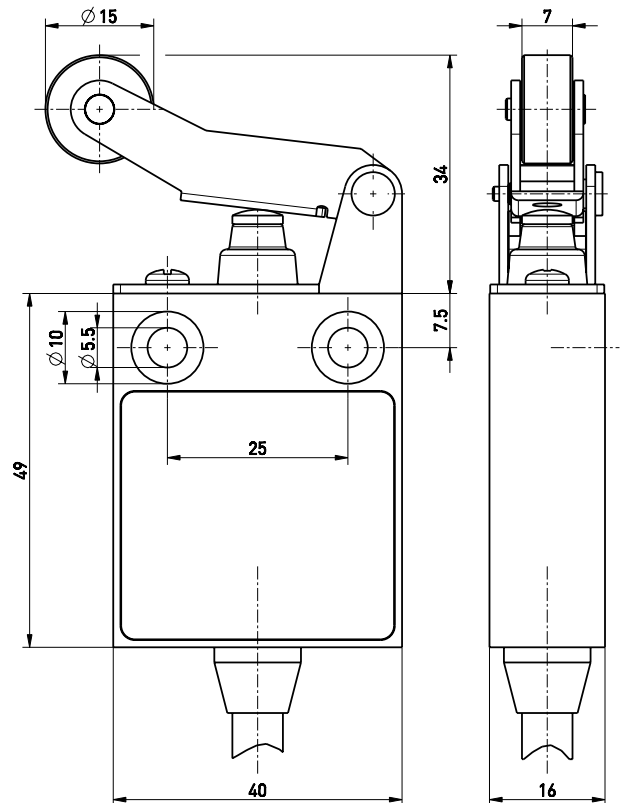


- Ex zone 1 and 21
- Thermoplastic enclosure
- Double insulated
- Suitable for in-line mounting
- With pre-wired cable
- Actuator: Long roller lever with collar WHL
- Actuating speed max. 0.5 m/s with a vertical actuating angle of  $\alpha = 40^\circ$  and  $\beta = 25^\circ$
- Metal roller
- Watertight collar for protection against penetration of dirt
- Attention: Please state required international approvals with your order!

### Notes

- Actuation from the left should be avoided since this reduces the mechanical life of the position switch.
- Actuator can be repositioned by 180° on request
- With plastic roller available on request

### Dimensions



### Technical data

#### Applied standards

EN 60947-5-1, EN IEC 60079-0, EN 60079-1, EN 60079-31, EN ISO 13849-1, EN ISO 14119

#### Enclosure

thermoplastic, glass-fibre reinforced, shockproof, self-extinguishing UL 94 V-0

#### Switch type

type 1

#### Coding level

no coding

#### Degree of protection

IP65 (EN 60079-0 + IEC/EN 60529), IP67 (IEC/EN 60529)

#### B<sub>10d</sub> (10 % load)

2 million

#### T<sub>M</sub>

max. 20 years

#### Contact material

silver

#### Switching system

slow action, positive break NC contacts  $\ominus$

#### Switching elements

1 NC/1 NO contact, type Zb

#### Connection

pre-wired cable H05VV-F

#### Cable cross-section

4 x 0.75 mm<sup>2</sup> (incl. conductor ferrules)

#### Cable length

5 m

#### Rated impulse withstand voltage U<sub>imp</sub>

4 kV

#### Rated insulation voltage U<sub>i</sub>

250 V

#### Conventional thermal current I<sub>the</sub>

T6: 6 A, T5: 3 A

#### Rated operating current/voltage I<sub>e</sub>/U<sub>e</sub>

6 A/250 VAC; 0.25 A/230 VDC

Errors and omissions excepted.



## Ex position switch with safety function

Ex 13 WHL IÖ/1S - 5m

Material no.: 1045130 (material no. old: 13016906)

### Technical data (contd.)

#### Utilisation category

AC-15; DC-13

#### Short-circuit protection

6 A gG/gN fuse

#### Ambient temperature

T6: -20 °C ... +65 °C,

T5: -20 °C ... +75 °C, +90 °C with max. 3 A

#### Mechanical life

> 1 million operations

#### Operation cycles

max. 1800/h

#### Repeat accuracy of switching points

± 0.1 mm

#### Contact opening

max. 2 x 4 mm

#### Impact energy

max. 7 J

#### Ex marking

⊕ II 2G Ex db IIC T6/T5 Gb,

⊕ II 2D Ex tb IIIC T80 °C/T95 °C Db

IECEX Ex db IIC T6/T5 Gb,

Ex tb IIIC T80 °C/T95 °C Db

#### Approvals

PTB 03 ATEX 1068 X

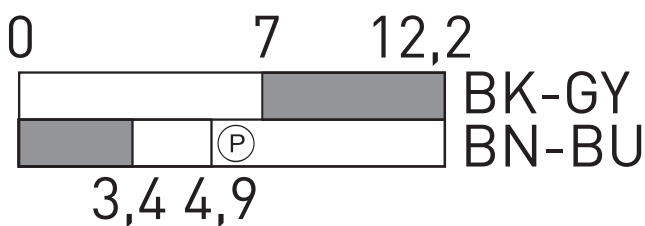
IECEX PTB 06.0053X



#### Weight

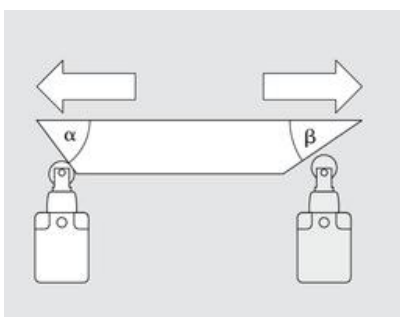
440 g

### Switching diagram



Ⓟ Positive break travel/angle

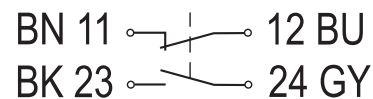
### Actuating angles



$\alpha$  - Actuating angle from right of switch axis

$\beta$  - Actuating angle from left of switch axis as shown in picture

### Contact diagram



Errors and omissions excepted.