



## Ex position switch with safety function Ex ES 99 H-11 -60°C X Material no.: 1349368

### Product features

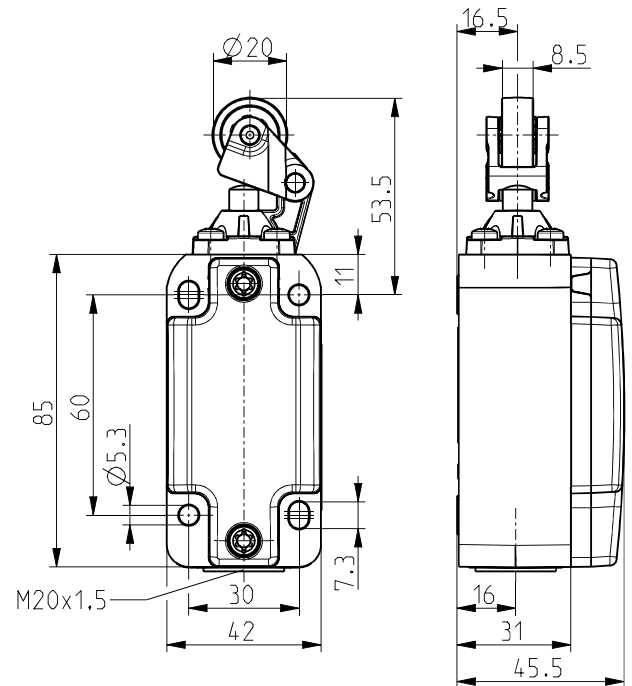


- Ex zone 1 and 21
- Thermoplastic enclosure
- Cold-resistant down to -60 °C
- High degree of protection IP66 / IP67 / IP69
- Design to EN 50041
- Wiring compartment
- Double insulated
- Actuator: Roller lever H

### Notes

- 1 Ex"e" cable gland M20x1.5 included in delivery

### Dimensions



### Technical data

#### Applied standards

EN 60947-5-1, EN IEC 60079-0, EN 60079-1, EN IEC 60079-7, EN 60079-31, EN ISO 13849-1, EN ISO 14119

#### Enclosure

thermoplastic, glass-fibre reinforced, shockproof, self-extinguishing UL 94 V-0

#### Cover

thermoset, glass-fibre reinforced, shockproof, self-extinguishing UL 94 V-0

#### Sealing

silicone

#### Switch type

type 1

#### Coding level

no coding

#### Tightening torque

cover screws: 1.5 ... 2 Nm

#### Degree of protection

IP66 (EN 60079-0 + IEC/EN 60529)  
IP67, IP69 (IEC/EN 60529)  
IP69K (ISO 20653)

#### B<sub>10d</sub> (10 % load)

2 million

#### T<sub>M</sub>

max. 20 years

#### Contact material

Silver, nickel-plated

#### Switching system

slow action, positive break NC contacts

#### Switching elements

1 NC/1 NO contact, type Zb

#### Connection

screw connection terminals

#### Cable cross-section

min. 0.75 mm<sup>2</sup> (AWG 18), max. 1.5 mm<sup>2</sup> (AWG 16), incl. conductor ferrules

#### Cable entry

M20 x 1.5; screwing depth max. 9 mm; use only Ex approved and certified cable glands with min. degree of protection IP66 and suitable for the specified ambient temperature range

#### Clamping range

7 ... 12 mm

Errors and omissions excepted.



## Ex position switch with safety function Ex ES 99 H-11 -60°C X Material no.: 1349368

### Technical data (contd.)

Utilisation category  
AC-15

Rated operating current  $I_e$   
max. 2 A or 4 A

Rated operating voltage  $U_e$   
max. 500 VAC, max. 250 VAC for unequal potential

Degree of pollution  
3

Mechanical life  
> 1 million operations

Temperature class  
T6

Ambient temperature  
-60 °C ... +55 °C max. 4 A, +60 °C max. 2 A

Impact energy  
max. 7 J down to -40 °C, max. 4 J down to -60 °C

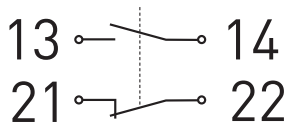
Short-circuit protection  
2 A / 4 A gG/gN fuse

Ex marking

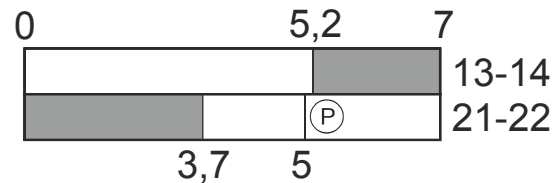
Approvals  
BVS 16 ATEX E113 X  
IECEX BVS 16.0076X

Weight  
169 g

### Contact diagram



### Switching diagram



Positive break travel/angle