



## Ex position switch with safety function

Ex T 356 4VH 1Ö/1S-2m

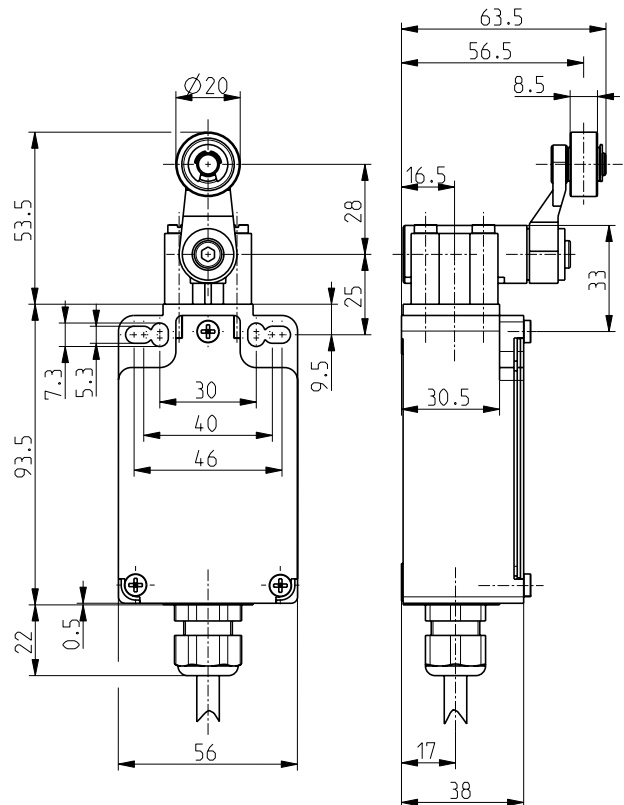
Material no.: 1173059 (material no. old: 96021302)

### Product features



- Ex zone 1 and 21
- Thermoplastic enclosure with metal cover
- Mounting and switching details to EN 50041
- Actuator: Rocking lever 4VH
- Actuator type A to EN 50041
- Actuating speed max. 2.5 m/s with a vertical actuating angle of 30°
- Wear-resistant plastic roller
- Actuator can be repositioned by 4 x 90°
- Lever angle adjustable in 10° steps
- Attention: Please state required international approvals with your order!

### Dimensions



### Technical data

#### Applied standards

EN 60947-5-1, EN IEC 60079-0, EN 60079-1, EN 60079-31, EN ISO 13849-1, EN ISO 14119

#### Enclosure

thermoplastic, glass-fibre reinforced, shockproof, self-extinguishing UL 94 V-0

#### Cover

steel, enamel finish

#### Switch type

type 1

#### Coding level

no coding

#### Degree of protection

IP65 (IEC/EN 60529)

#### B<sub>10d</sub> (10 % load)

2 million

#### T<sub>M</sub>

max. 20 years

#### Switch insert

1 x Ex 13

#### Contact material

silver

#### Switching system

slow action, positive break NC contacts ⊖

#### Switching elements

1 NC/1 NO contact, type Zb

#### Connection

pre-wired cable H05VV-F

#### Cable cross-section

4 x 0.75 mm<sup>2</sup> (incl. conductor ferrules)

#### Cable length

2 m

#### Rated impulse withstand voltage U<sub>imp</sub>

4 kV

#### Rated insulation voltage U<sub>i</sub>

250 V

Errors and omissions excepted.



## Ex position switch with safety function

Ex T 356 4VH 1Ö/1S-2m

Material no.: 1173059 (material no. old: 96021302)

### Technical data (contd.)

**Conventional thermal current  $I_{the}$**   
T6: 6 A, T5: 3 A

**Rated operating current/voltage  $I_e/U_e$**   
6 A/250 VAC; 0.25 A/230 VDC

**Utilisation category**  
AC-15; DC-13

**Short-circuit protection**  
6 A gG/gN fuse

**Ambient temperature**  
T6: -20 °C ... +65 °C,  
T5: -20 °C ... +75 °C, +90 °C with max. 3 A

**Mechanical life**  
> 1 million operations


**Operation cycles**  
max. 1800/h

**Repeat accuracy of switching points**  
± 0.1 mm

**Contact opening**  
max. 2 x 4.5 mm

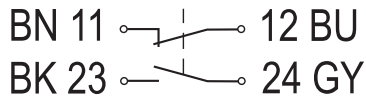
**Impact energy**  
max. 7 J

**Ex marking**  
⊕ II 2G Ex db IIC T6/T5 Gb,  
⊕ II 2D Ex tb IIIC T80 °C/T95 °C Db  
IECEX Ex db IIC T6/T5 Gb,  
Ex tb IIIC T80 °C/T95 °C Db

**Approvals**  
PTB 03 ATEX 1068 X \*  
IECEX PTB 06.0053X \*  
  
\* referring to the switch insert

**Weight**  
420 g

### Contact diagram



### Switching diagram

