



Ex position switch

Ex 12 TL - 2m

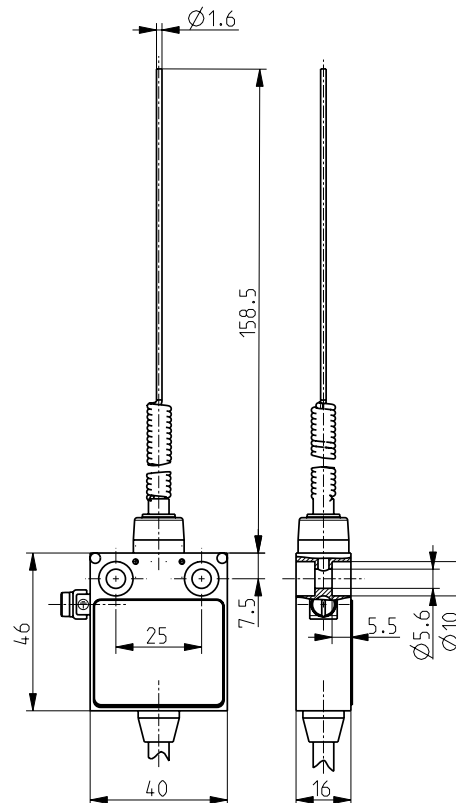
Material no.: 1044693 (material no. old: 12732903)

Product features



- Ex zone 1 and 21
- Metal enclosure, hard-coated
- Snap action, change-over contact with single break
- Suitable for in-line mounting
- With pre-wired cable
- Actuator: Long spring rod TL
- Spring rod can be actuated from any direction
- Spring rod can be shortened 30 mm in actuating area
- Exact linear actuation not necessary
- Elasticity of the spring allows for deflection above the max. switching angle of 18°
- Attention: Please state required international approvals with your order!

Dimensions



Technical data

Applied standards

EN IEC 60079-0, EN 60079-1, EN 60079-31, EN 60947-5-1

Enclosure

aluminium die-cast, hard-coated

Degree of protection

IP65 (IEC/EN 60529)

Contact material

silver

Switching system

snap action

Switching elements

1 change-over contact with single break, type C

Connection

pre-wired cable H05VV-F

Cable cross-section

4 x 0.75 mm² (incl. conductor ferrules)

Cable length

2 m

Rated impulse withstand voltage U_{imp}

4 kV

Rated insulation voltage U_i

250 V

Conventional thermal current I_{the}

5 A

Utilisation category

AC-15; DC-13

Rated operating current/voltage I_e/U_e

5 A/250 VAC; 0.16 A/230 VDC

Short-circuit protection

5 A gG/gN fuse

Ambient temperature

-20 °C ... +60 °C

Mechanical life

> 1 million operations

Operation cycles

max. 1800/h

Errors and omissions excepted.



Ex position switch

Ex 12 TL - 2m

Material no.: 1044693 (material no. old: 12732903)

Technical data (contd.)

Repeat accuracy of switching points

± 0.1 mm

Impact energy

max. 7 J

Ex marking

⊕ II 2G Ex db IIC T6 Gb

⊕ II 2D Ex tb IIIC T80 °C Db

IECEX Ex db IIC T6 Gb

Ex tb IIIC T80 °C Db

Approvals

PTB 03 ATEX 1067 X

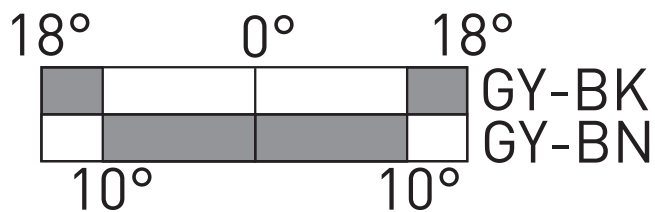
IECEX PTB 11.0089X



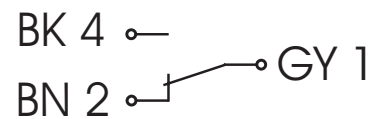
Weight

275 g

Switching diagram



Contact diagram



Errors and omissions excepted.