



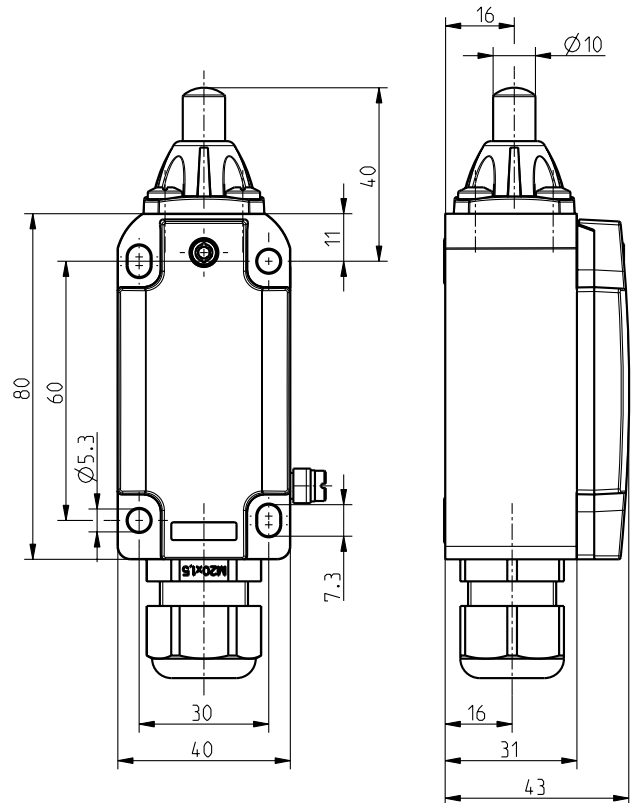
## Ex position switch with safety function Ex ES 98-11 -40°C Material no.: 1387893

### Product features



- Ex zone 1 and 21
- Cold-resistant down to -40 °C
- Metal enclosure
- Design to EN 50041
- Wiring compartment
- Actuator: Plunger
- Actuator type B to EN 50041
- Actuating speed max. 0.5 m/s with a vertical actuating angle of 0°
- Attention: Please state required international approvals with your order!

### Dimensions



### Technical data

#### Applied standards

EN 60947-5-1, EN IEC 60079-0, EN 60079-1, EN IEC 60079-7, EN 60079-31, EN ISO 13849-1, EN ISO 14119

#### Enclosure

aluminium die-cast, corrosion-resistant, powder-coated, anthracite grey, similar to RAL 7016

#### Cover

stainless steel 1.4401, powder-coated, signal yellow, similar to RAL 1003

#### Sealing

silicone

#### Switch type

type 1

#### Coding level

no coding

#### Degree of protection

IP66 (IEC/EN 60529)

#### B<sub>10d</sub> (10 % load)

2 million

#### T<sub>M</sub>

max. 20 years

#### Contact material

silver

#### Switching system

slow action, positive break NC contacts ⊖

#### Switching elements

1 NC/1 NO contact, type Zb

#### Connection

screw connection terminals, use copper conductors only

#### Cable cross-section

min. 0.75 mm<sup>2</sup> (AWG 18), max. 1.5 mm<sup>2</sup> (AWG 16), incl. conductor ferrules

#### Cable entry

1 x M20 x 1.5 (incl. 1 cable gland)

#### Clamping range

7 ... 13 mm

#### Rated impulse withstand voltage U<sub>imp</sub>

4 kV

Errors and omissions excepted.



## Ex position switch with safety function Ex ES 98-11 -40°C Material no.: 1387893

### Technical data (contd.)

Rated insulation voltage  $U_i$   
250 V

Rated operating current  $I_e$   
max. 4.4 A T6 / max. 6.6 A T5

Rated operating voltage  $U_e$   
max. 250 VAC; 125 VDC

Utilisation category  
AC-15; DC-13

Short-circuit protection  
4 A / 6 A gG/gN fuse

Ambient temperature  
T6: -40 °C ... +70 °C (max. 4.4 A)  
T5: -40 °C ... +70 °C (max. 6.6 A)

Mechanical life  
> 1 million operations

Operation cycles  
max. 1800/h

Repeat accuracy of switching points  
 $\pm 0.1$  mm

Impact energy  
max. 7 J

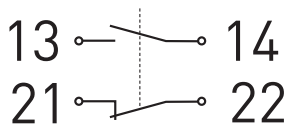
Ex marking  
⊕ II 2G Ex db eb IIC T6/T5 Gb,  
⊕ II 2D Ex tb IIIC T80°C/T95°C Db  
IECEX Ex db eb IIC T6/T5 Gb,  
Ex tb IIIC T80°C/T95°C Db

Approvals  
DMT 01 ATEX E 178  
IECEX BVS 07.0014

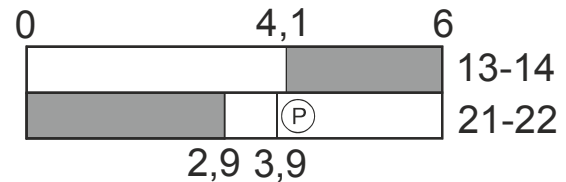


Weight  
297 g

### Contact diagram



### Switching diagram



Ⓟ Positive break travel/angle