



## Ex emergency pull-wire switch Ex ZS 92 S 22 VD F Material no.: 1326899

### Product features

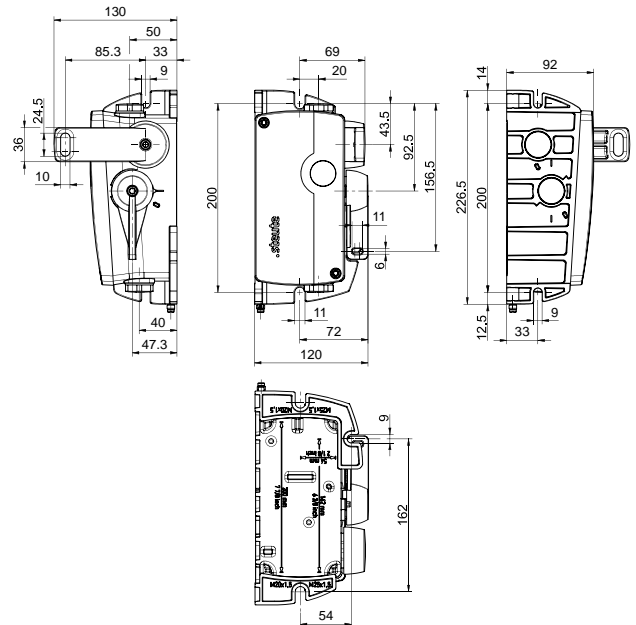


- Ex zone 1 and 21
- Corrosion-resistant aluminium enclosure
- Screws made of stainless steel
- Wire length up to 2 x 100 m
- Release by lever
- F = Reset lever at the front side
- Back and base mounting possible
- Wire pull and breakage detection

### Notes

- At 3 m distance intermediate wire supports are required. Two compensation springs type ZS 90/91/92 S must be installed, see accessories.

### Dimensions



### Technical data

#### Applied standards

EN 60947-5-1, EN 60947-5-5, EN ISO 13850, EN ISO 13849-1, EN IEC 60079-0, EN 60079-1, EN IEC 60079-7, EN 60079-31, EN 620-5.7.2.9, AS 1755-2000-2.7.9.1, AS/NZS 4024.3610:2015-2.10.6.2

#### Enclosure

aluminium die-cast, corrosion-resistant, powder-coated, passivated, shockproof, anthracite grey, similar to RAL 7016

#### Cover

aluminium die-cast, corrosion-resistant, powder-coated, passivated, shockproof, signal yellow, similar to RAL 1003

#### Actuating lever

aluminium die-cast, corrosion-resistant, powder-coated, passivated, shockproof, signal red, similar to RAL 3001

#### Reset lever

aluminium die-cast, corrosion-resistant, powder-coated, passivated, shockproof, sky blue, similar to RAL 5015

#### Screws

stainless steel

#### Tightening torque

cover screws: max. 2.5 Nm  
actuator screws: max. 6 Nm

#### Degree of protection

IP65 (EN 60079-0 + IEC/EN 60529)

#### $B_{10d}$ (10 % load)

100 000

#### $T_M$

max. 20 years

#### Contact material

silver

#### Switching system

snap action, positive break NC contacts ⊖

#### Switching elements

2 NC/2 NO contacts, type Zb

#### Connection

screw connection terminals

#### Cable cross-section

min. 0.75 mm<sup>2</sup> (AWG 18), max. 2.5 mm<sup>2</sup> (AWG 14), incl. conductor ferrules

#### Cable entry

2 x M25 x 1.5

#### Rated impulse withstand voltage $U_{imp}$

6 kV

#### Rated insulation voltage $U_i$

250 V

#### Conventional thermal current $I_{the}$

2 A / 4 A / 6 A

Errors and omissions excepted.



## Ex emergency pull-wire switch Ex ZS 92 S 22 VD F Material no.: 1326899

### Technical data (contd.)

Utilisation category  
AC-15

Rated operating current/voltage  $I_e/U_e$   
max. 2 A/4 A/6 A / 250 VAC

Short-circuit protection  
2 A / 4 A / 6 A gG/gN fuse

Mechanical life  
> 50 000 operations

Max. wire length  
2 x 100 m

Ambient temperature  
-10 °C ... +55 °C max. 2 A,  
-10 °C ... +50 °C max. 4 A,  
-10 °C ... +45 °C max. 6 A

Degree of pollution  
3

Actuating force  
actuating lever approx. 30 N; reset lever approx. 40 N

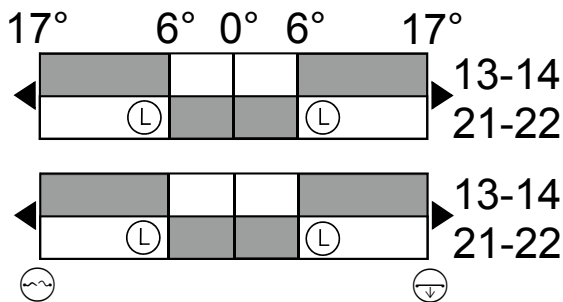
Ex marking  
⊕ II 2G Ex db eb IIC T6 Gb,  
⊕ II 2D Ex tb IIIC T80 °C Db  
IECEX Ex db eb IIC T6 Gb,  
Ex tb IIIC T80 °C Db

Approvals  
BVS 19 ATEX E 076  
IECEX BVS 19.0074



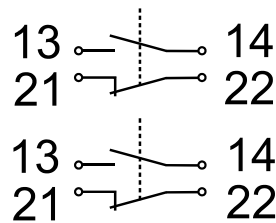
Weight  
1900 g

### Switching diagram



- Ⓛ Latching point
- ⊕ Wire breakage detection
- ⊖ Wire pull detection

### Contact diagram



Errors and omissions excepted.