



Accessories for Ex STM 298 Angled actuator STM 298-B5 Material no.: 1409510

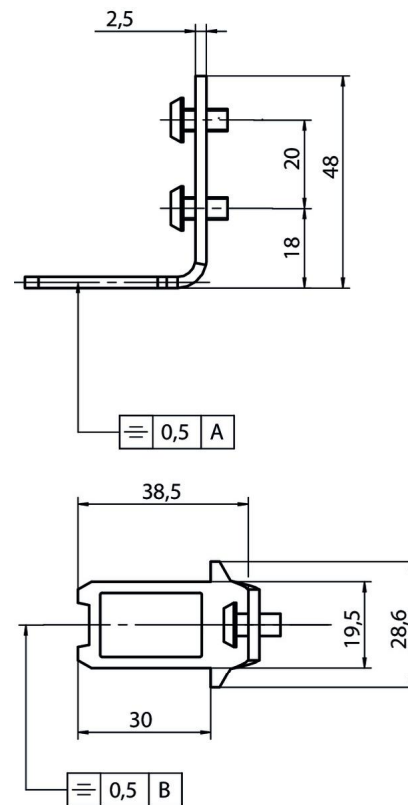
Product features

- Stainless steel
- Minimum door radius 300 mm
- Suitable for a maximum tensile force of 1500 N

Notes

- 2 safety screws included in delivery

Dimensions



Errors and omissions excepted.