



# Safety Rope-Pull Switches

Safe  
Flexible  
Fast

# Safety rope-pull switches

## SR

Plastic housing  
Protection class IP 67

EMERGENCY STOP switch gear  
acc. IEC 947-5-5

Integrated EMERGENCY STOP  
push button

Quick mounting device for  
rope installation

  
(in preparation)



### Safe:

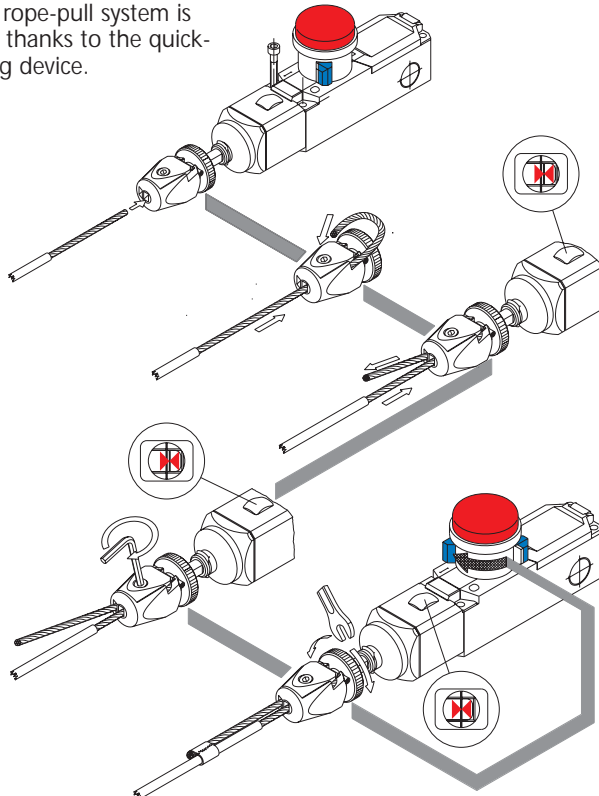
- The EMERGENCY STOP function is enabled by positive-break safety contacts following actuation or failure of the rope-pull system.
- The SR ... NA QF has an integrated EMERGENCY STOP push button, which, due to its design, is particularly well protected against external mechanical influences and blocking.

### Flexible:

- 2 NC and 2 NO contacts is the standard contact configuration. According to customer preference, separate specification of the 4 switching elements is possible; thus allowing system integration close to the application.

### Fast:

- The fast rope attachment of the SR ... NA QF is shown in the drawing on the left. The rope-pull system is quickly installed thanks to the quick-change clamping device.



- The correct rope tension is clearly and visibly indicated.
- Also clearly recognisable is the circuit status indication, combined with the reset function, of the E-STOP device.
- The electrical connection is made via "cage clamp"-connection terminals.

### Reliable:

- The glass-fibre reinforced polyamide housing can cope with the roughest operating conditions. The SR is mounted using a mounting plate made of metal.
- Protection class IP 67.

### In the future:

- Two integrated diffuse reflective sensors are to be offered, which will signal if the rope tension is exceeded. This facilitates "preventative maintenance".

Designation

Part No.

Switching diagram

⊕ Forced disconnect

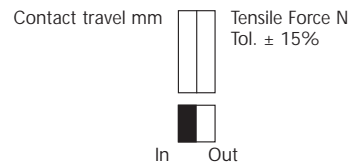
IEC 947-5-1 Chap. 3

Za: changeover contact is not galvanically isolated

Zb: changeover contact is galvanically isolated

Slow-action contact/snap-action contact

Latching mechanism



Voltage max.

Continuous thermal current max.

Making current, acc. to IEC 947-5-1 AC 15 /DC 13

Switching frequency max.

Mech. operational life acc. to IEC 947-5-5

Ambient temperature min./max.

Approvals

Approvals (in preparation)

cable conduit

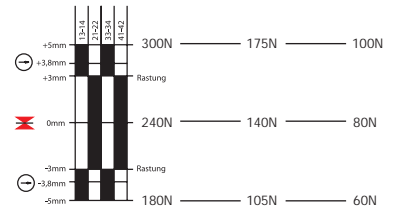
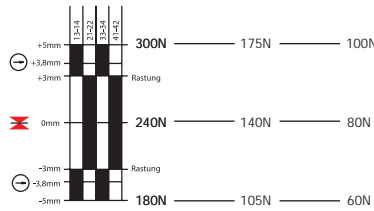
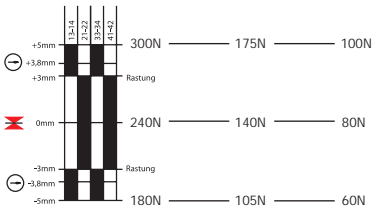
Weight

Ex stock/To order

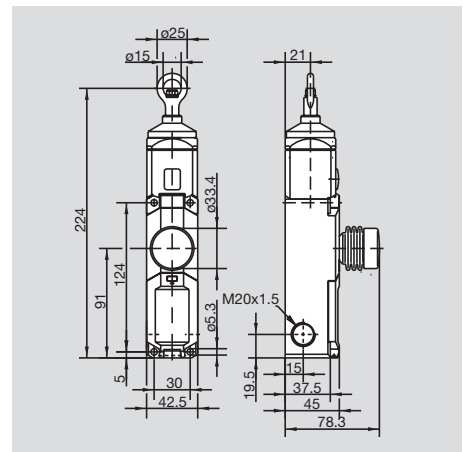
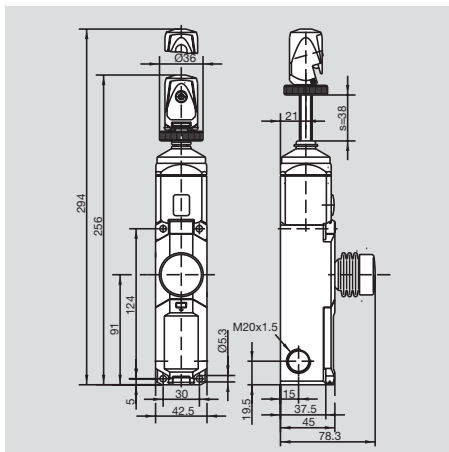
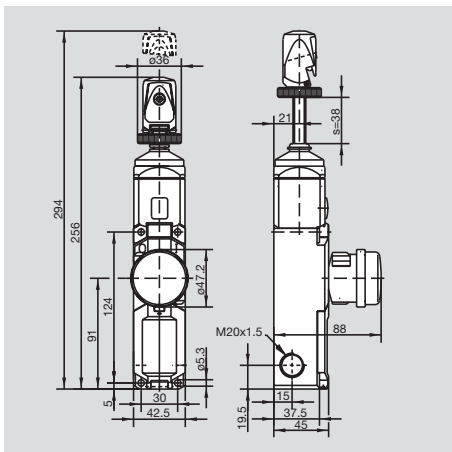
All dimensions in mm (inch)



SR-U2Z-NA-QF 300	SR-U2Z-NA-QF 175	SR-U2Z-NA-QF 100	SR-U2Z-QF 300	SR-U2Z-QF 175	SR-U2Z-QF 100	SR-U2Z 300	SR-U2Z 175	SR-U2Z 100
601.1629.019	601.1629.027	601.1629.031	601.1629.028	601.1629.024	601.1629.032	601.1620.020	601.1621.026	601.1621.030
●/-	●/-	●/-	●/-	●/-	●/-	●/-	●/-	●/-
●	●	●	●	●	●	●	●	●



250 VAC	250 VAC	250 VAC	250 VAC	250 VAC	250 VAC	250 VAC	250 VAC	250 VAC
10 A	10 A	10 A	10 A	10 A	10 A	10 A	10 A	10 A
230 V/4 A	230 V/4 A	230 V/4 A	230 V/4 A	230 V/4 A	230 V/4 A	230 V/4 A	230 V/4 A	230 V/4 A
(AC 15)	(AC 15)	(AC 15)	(AC 15)	(AC 15)	(AC 15)	(AC 15)	(AC 15)	(AC 15)
20/min.	20/min.	20/min.	20/min.	20/min.	20/min.	20/min.	20/min.	20/min.
●	●	●	●	●	●	●	●	●
-25 °C/+70 °C	-25 °C/+70 °C	-25 °C/+70 °C	-25 °C/+70 °C	-25 °C/+70 °C	-25 °C/+70 °C	-25 °C/+70 °C	-25 °C/+70 °C	-25 °C/+70 °C
-13 °F/+158 °F	-13 °F/+158 °F	-13 °F/+158 °F	-13 °F/+158 °F	-13 °F/+158 °F	-13 °F/+158 °F	-13 °F/+158 °F	-13 °F/+158 °F	-13 °F/+158 °F
-	-	-	-	-	-	-	-	-
BG, UL, CSA	BG, UL, CSA	BG, UL, CSA	BG, UL, CSA	BG, UL, CSA	BG, UL, CSA	BG, UL, CSA	BG, UL, CSA	BG, UL, CSA
3x M20 x 1,5	3x M20 x 1,5	3x M20 x 1,5	3x M20 x 1,5	3x M20 x 1,5	3x M20 x 1,5	3x M20 x 1,5	3x M20 x 1,5	3x M20 x 1,5
0,6 kg	0,6 kg	0,6 kg	0,6 kg	0,6 kg	0,6 kg	0,5 kg	0,5 kg	0,5 kg
●/-	●/-	●/-	●/-	●/-	●/-	●/-	●/-	●/-



# ...more safe solutions

## Safety switches with separate actuator



### Type SKC/SK

- Plastic housing
- Built-in catch option
- IEC 947-5-1
- GS-ET-15
- IP 65



### Type SKT

- Plastic housing
- 4x90° head rotation
- Short body
- IP 65



### Type SKI

- Plastic housing
- 4x90° head rotation
- Mounting to EN 50047
- IP 65



### Type SLK

- Slim-line plastic housing
- Spring or solenoid locking
- 2000 N holding force
- 4x90° head rotation
- IP 67



### Type ENM Type GC

- Metal housing
- Mounting to EN 50041
- IP 65



### Type SLM

- Robust metal housing
- Spring or solenoid locking
- Mounting to EN 50041
- IP 67

## Safety switches for hinged guard applications



### Safety Hinge Switch Type SHS

- Metal housing
- Integration of safety switch with load bearing hinge
- Full 180° angle of operation
- 180° programmable switching position
- IP 67



### Type I 88 VKS/VKW

- Plastic housing
- Suitable for hinged covers and doors
- IP 65



### Type GC-VKS/VKW

- Metal housing
- Suitable for hinged covers and doors
- IP 65



### Type I 88-AHDB

- Plastic housing
- Mounting on hinge axis
- IP 65



### Type BCM

- Metal housing
- Mounting on hinge axis
- IP 65



### Type ENM-AHZ

- Metal housing
- Forced disconnect contact in forward and reverse travel
- IP 65



### Safety Relay Combination Type SCR

- Safety category 3 or 4 to EN 954-1
- Monitored manual or automatic re-start
- Up to 4 safety outputs
- EDM function

## Safety Rope-Pull Switches



### Type S/Si

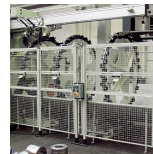
- Plastic housing
- Metal housing
- IP 65



### Type SR

- Slim-line plastic housing
- EMERGENCY STOP function to EN 60947-5-5
- Integral EMERGENCY STOP button
- Quick rope installation
- Easy installation & set-up
- IP 67

## Safety Fence Systems



### Type SG 1800-50

- Posts
- Protective mesh
- Rotating doors
- Sliding doors
- Accessories

[www.bernstein-ag.de](http://www.bernstein-ag.de)

## Bernstein AG

Tieloser Weg 6

D-32457 Porta Westfalica

Telephone ++49-571-793-0

Telefax ++49-571-793-555

E-Mail: [info@bernstein-ag.de](mailto:info@bernstein-ag.de)