

## Datasheet - BNS 250-11ZG

Safety sensors / BNS 250

 Preferred typ

(Minor differences between the printed image and the original product may exist!)

- LED version
- thermoplastic enclosure
- Small body
- Concealed mounting possible
- 33 mm x 25 mm x 13 mm
- Long life
- no mechanical wear
- Insensitive to transverse misalignment
- Insensitive to soiling

### Ordering details

Product type description	BNS 250-11ZG
Article number	101120671
EAN code	4030661049250

### Approval

Approval




### Classification

Standards	EN ISO 13849-1
B10d Opener/Normally open contact (NC/NO)	25.000.000
- notice	at max. 20% contact load
Mission time	20 Years
notice	$MTTF_d = \frac{B_{10d}}{0,1 \times n_{op}}$ $n_{op} = \frac{d_{op} \times h_{op} \times 3600 \text{ s/h}}{t_{cycle}}$

### Global Properties

Product name	BNS 250
--------------	---------

Standards	IEC 60947-5-3, BG-GS-ET-14
Compliance with the Directives (Y/N) 	Yes
Materials	
- Material of the housings	Plastic, glass-fibre reinforced thermoplastic
- Material of the cable mantle	PVC
Weight	50 g
Coding available (Y/N)	Yes
Monitoring function of downstream devices (Y/N)	No
Prerequisite evaluation unit	Yes
Recommended safety-monitoring module	
Recommended actuator	BPS 250

## Mechanical data

---

Design of electrical connection	Cable
Cable length	1 m
Conductors	0,25 mm <sup>2</sup>
AWG-Number	23
mechanical installation conditions	not flush
Active area	front side
Ensured switch distance ON	4 mm
Ensured switch distance OFF	14 mm
Type of actuation	Magnet
Direction of motion	head-on with regard to the active surface
restistance to shock	30 g / 11 ms
Resistance to vibration	10 ... 55 Hz, Amplitude 1 mm

## Ambient conditions

---

Ambient temperature	
- Min. environmental temperature	-25 °C
- Max. environmental temperature	+70 °C
Storage and transport temperature	
- Min. Storage and transport temperature	-25 °C
- Max. Storage and transport temperature	+70 °C
Protection class	IP67

## Electrical data

---

Integrated Safety monitoring module available (Y/N)	No
Cross circuit/short circuit recognition possible (Y/N)	Yes
Voltage type	VDC
Switch frequency	max. 5 Hz
Switching voltage	max. 24 VDC
Switching current	max. 100 mA
Switching capacity	max. 1 W

## Outputs

---

Design of control output	Other, Reed kontakts
Number of shutters	1 piece
Number of openers	1 piece

## Electrical data - Safety outputs

Number of secure semi-conductor outputs	0 piece
Number of secure outputs with contact	0 piece

### Electrical data - Diagnostic output

Number of semi-conductor outputs with signaling function	0 piece
Number of outputs with signaling function that already have a contact	0 piece

### LED switching conditions display

LED switching conditions display (Y/N)	Yes
- The LED is illuminated when the guard door is open.	

### ATEX

Explosion protection categories for gases	None
Explosion protected category for dusts	None

### Dimensions

Dimensions of the sensor	
- Width of sensor	33 mm
- Height of sensor	25 mm
- Length of sensor	13 mm

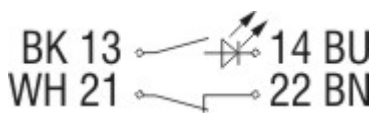
### notice

Contact symbols shown for the closed condition of the guard device.  
The contact configuration for versions with or without LED is identical.




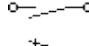

### Included in delivery

Actuators must be ordered separately.

### Diagram



Note Diagram

-  positive break NC contact
-  active
-  no active
-  Normally-open contact
-  Normally-closed contact

### Ordering code

BNS 250-(1)Z(2)-(3)

(1)

11	1 Normally open contact (NO) / 1 Opener (NC)
12	1 Normally open contact (NO) / 2 Opener (NC)
(2)	
without	without LED switching conditions display
G	with LED switching conditions display
(3)	
2187	Individual contact outlet ( <i>without LED switching conditions display</i> )

## Documents

---

**Operating instructions and Declaration of conformity (de)** 1 MB, 21.01.2010

Code: mrl\_bns250\_de

**Operating instructions and Declaration of conformity (en)** 1 MB, 21.01.2010

Code: mrl\_bns250\_en

**Operating instructions and Declaration of conformity (es)** 769 kB, 13.01.2010

Code: mrl\_bns250\_es

**Operating instructions and Declaration of conformity (fr)** 769 kB, 13.01.2010

Code: mrl\_bns250\_fr

**Operating instructions and Declaration of conformity (it)** 767 kB, 13.01.2010

Code: mrl\_bns250\_it

**Operating instructions and Declaration of conformity (jp)** 1 MB, 23.11.2010

Code: mrl\_bns250\_jp

**Operating instructions and Declaration of conformity (nl)** 772 kB, 25.01.2010

Code: mrl\_bns250\_nl

**Operating instructions and Declaration of conformity (pt)** 310 kB, 05.07.2012

Code: mrl\_bns250\_pt

**Operating instructions and Declaration of conformity (da)** 278 kB, 27.08.2012

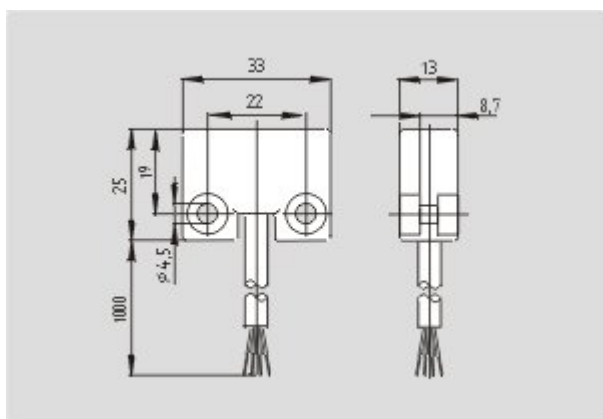
Code: mrl\_bns250\_da

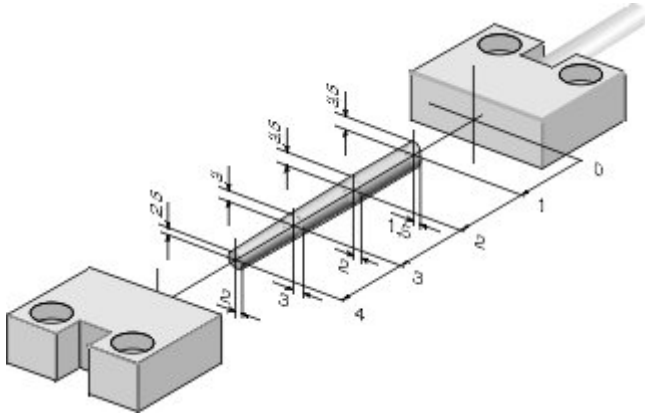
**Operating instructions and Declaration of conformity (pl)** 288 kB, 02.04.2012

Code: mrl\_bns250\_pl

## Images

---





Characteristic curve

---

## System components

---

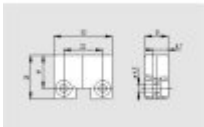
### Actuator



**101120594 - BPS 250**

- thermoplastic enclosure
- 

### Accessories



**101131223 - SPACER BNS 250**

- to mount the magnetic safety sensor and actuator on ferromagnetic material
  - Suitable for food processing industry
- 

K.A. Schmersal GmbH, Mödinghofe 30, D-42279 Wuppertal

The data and values have been checked thoroughly. Technical modifications and errors excepted.

Generiert am 01.11.2012 - 15:41:06h Kasbase 2.2.2 DBII

