

Datasheet - NDP50RT

Command and signalling devices / Push buttons and pilot lights - "N" Program / NDP - latched pushbutton



(Minor differences between the printed image and the original product may exist!)

Ordering details

Product type description	NDP50RT
Article number	101163574
EAN code	4250116200108

Approval

Approval



Global Properties

Product name	NDP - Schlagtaster
Standards	IEC/EN 60947-1, EN 60947-5-1
Compliance with the Directives (Y/N)	No
Suitable for safety functions (Y/N)	No
Mounting	mounting flange EFM
Materials	
- Material of the operators	ABS
- Material of the front ring	ABS, Chromium-plated
- Material of the bellows	Silicone
Design	round

Form	Round
Color	
- Colour of the operating element	<input checked="" type="checkbox"/> red
- Colour of the bellows	<input type="checkbox"/> White
- Colour of the front ring	<input type="checkbox"/> Silver
Weight	50 g
Manner of using	Push button
Can be illuminated (Y/N)	No

Mechanical data

Actuating stroke	5 mm
Latching (Y/N)	No
Probing possible (Y/N)	No
mounting flange available (Y/N)	Yes
Front plate thickness	
- min. front plate thickness	1.5 mm
- max. front plate thickness	6 mm
Tightening torque for fixing screws	0,6 Nm

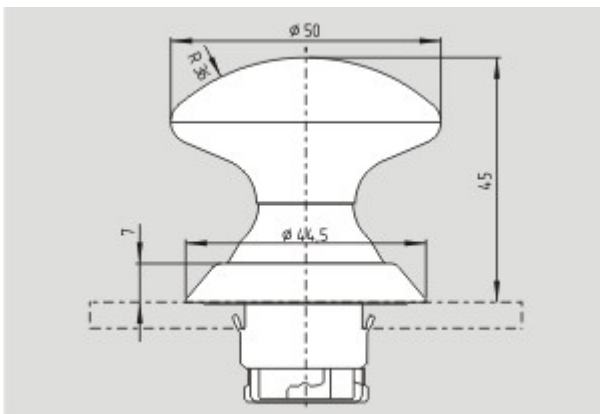
Ambient conditions

Ambient temperature	
- Min. environmental temperature	-25 °C
- Max. environmental temperature	+80 °C
Storage and transport temperature	
- Min. Storage and transport temperature	-
- Max. Storage and transport temperature	-
Fully insulated (Y/N)	Yes
Sealing type	membrane, lip seal
Protection type IP	IP67, IP69K

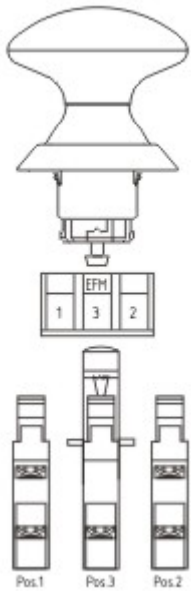
Dimensions

Dimensions	
- Height	45 mm
- diameters for the actuating heads	Ø 50 mm
- Hole, diameter	22.3 mm + 0,4 mm
Spacing	50 x 50 mm

Images



Dimensional drawing (basic component)



Application

System components

Accessories



101014388 - EFM

contact element



contact element EF - (N)

- Flat plug-in connector
- Mounting flange position 2
- 21-22 (Contact labelling)

K.A. Schmersal GmbH, Möddinghofe 30, D-42279 Wuppertal

The data and values have been checked thoroughly. Technical modifications and errors excepted.

Generiert am 02.11.2012 - 14:13:39h Kasbase 2.2.2.F DBI

Image

Image
et=sS