

Datasheet - AZM 161SK-12/12RK-110/230


Solenoid interlock / AZM 161



Preferred typ



(Minor differences between the printed image and the original product may exist!)

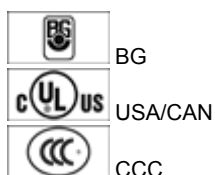
- thermoplastic enclosure
- Double-insulated 
- Interlock with protection against incorrect locking.
- 130 mm x 90 mm x 30 mm
- 6 Contacts
- Long life
- Large wiring compartment
- Manual release
- cable entries 4 M 16 x 1.5

Ordering details

Product type description	AZM 161SK-12/12RK-110/230
Article number	101166282
EAN code	4030661213941

Approval

Approval




Classification

Standards	EN ISO 13849-1
B10d Opener (NC)	2.000.000
Mission time	20 Years
notice	$MTTF_d = \frac{B_{10d}}{0,1 \times n_{op}}$ $n_{op} = \frac{d_{op} \times h_{op} \times 3600 \text{ s/h}}{t_{cycle}}$

Global Properties

Product name	AZM 161
Standards	EN 60947-5-1, BG-GS-ET-19

Compliance with the Directives (Y/N) 	Yes
Number of actuating directions	3 piece
Active principle	electromechanical
Duty cycle	Magnet 100 %
Materials	
- Material of the housings	Plastic, glass-fibre reinforced thermoplastic, self-extinguishing
- Material of the contacts	Silver
Housing coating	None
Weight	415 g

Mechanical data

Actuating play in direction of actuation	5.5 mm
Design of electrical connection	Screw connection
Cable section	
- Min. Cable section	1 x 0,75 mm ²
- Max. Cable section	1 x 1.5 mm ²
Mechanical life	> 1.000.000 operations
Emergency unlocking device (Y/N)	No
Manual release (Y/N)	Yes
Emergency release (Y/N)	No
Latching force	30 N
Positive break force	20 N
positive break travel	10 mm
Clamping force F _{max}	2000 N
Max. Actuating speed	2 m/s
Actuating frequency	max. 1000 / h
notice	All indications about the cable section are including the conductor ferrules.

Ambient conditions

Ambient temperature	
- Min. environmental temperature	-25 °C
- Max. environmental temperature	+60 °C
Protection class	IP67 to IEC/EN 60529

Electrical data

Design of control element	Normally open contact (NO), Opener (NC)
Switching principle	Creep circuit element
Number of auxiliary contacts	2 piece
Number of safety contacts	4 piece
Power to unlock	Yes
Power to lock	No
Rated control voltage U _s	110 / 230 VAC
Power consumption	max. 10 W
Rated impulse withstand voltage U _{imp}	4 kV
Rated insulation voltage U _i	250 V
Thermal test current I _{the}	6 A
Utilisation category	AC-15: 230 V / 4 A, DC-13: 24 V / 2,5 A
Max. fuse rating	6 A gG D-fuse To DIN EN 60269-1

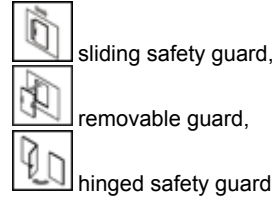
ATEX

Explosion protection categories for gases
Explosion protected category for dusts

None
None

Miscellaneous data

Applications



Dimensions

Dimensions of the sensor

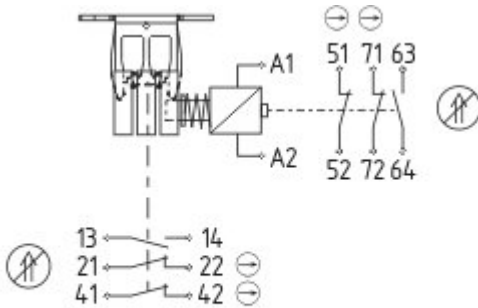
- Width of sensor	130 mm
- Height of sensor	90 mm
- Length of sensor	30 mm

notice

Manual release

- For maintenance, installation, etc.
- For manual release using M5 triangular key, available as accessory

Diagram

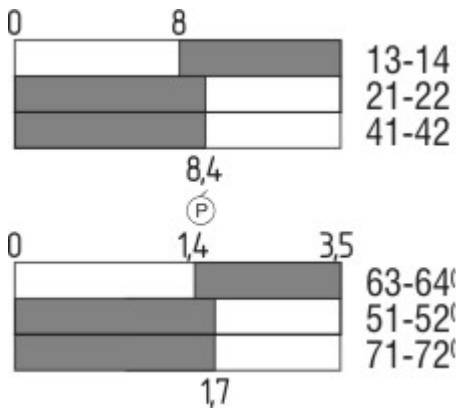


13	14	21	22	41	42	51	52	63	64	71	72	A1	A2
----	----	----	----	----	----	----	----	----	----	----	----	----	----

Note Diagram

- positive break NC contact
- active
- no active
- Normally-open contact
- Normally-closed contact

Switch travel diagram



Notes Switch travel diagram

- Contact closed
- Contact open
- Setting range
- Break point
- Positive opening sequence/- angle
- VS** adjustable range of NO contact
- VÖ** adjustable range of NC contact
- N** after travel

Ordering code

AZM 161 (1)-(2)(3)K(4)-(5)-(6)(7)

<p>(1)</p> <p>SK</p> <p>CC</p> <p>ST</p> <p>(2)</p> <p>12/12</p> <p>12/11</p> <p>11/12</p> <p>(3)</p> <p><i>without</i></p> <p>R</p> <p>(4)</p> <p><i>without</i></p> <p>A</p> <p>(5)</p> <p><i>without</i></p> <p>ED</p> <p>EU</p> <p>T</p> <p>TD</p> <p>TU</p> <p>N</p> <p>(6)</p> <p>024</p> <p>110/230</p> <p>(7)</p> <p>G</p>	<p>Screw connection</p> <p>Cage clamps</p> <p>male connector M12, 8- and 4-poles (<i>Only for Us: 24 VAC/DC</i>)</p> <p>2 Normally open contact (NO) / 4 Opener (NC)</p> <p>2 Normally open contact (NO) / 3 Opener (NC) (<i>Plug-in connection</i>)</p> <p>2 Normally open contact (NO) / 3 Opener (NC) (<i>Plug-in connection</i>)</p> <p>Latching force 5 N</p> <p>Latching force 30 N</p> <p>Power to unlock</p> <p>Power to lock</p> <p>Manual release lateral</p> <p>Manual release cover-side</p> <p>Manual release rear</p> <p>Emergency exit lateral</p> <p>Emergency exit cover-side</p> <p>Emergency exit rear</p> <p>Emergency release</p> <p>Us: 24 VAC/DC</p> <p>Us: 110/230 VAC</p> <p>with LED (<i>Only for Us: 24 VAC/DC</i>)</p>
-----------------------------------------------------------------------------------------------------------------------------------------------------------------------------------------------------------------------------------------------------------------------------------------------------------------------------------------------------------------------------------------------------------------------------------------------------------	----------------------------------------------------------------------------------------------------------------------------------------------------------------------------------------------------------------------------------------------------------------------------------------------------------------------------------------------------------------------------------------------------------------------------------------------------------------------------------------------------------------------------------------------------------------------------------------------------------------------------------------------------------------------------------------------------------------------------------------------------

Documents

Operating instructions and Declaration of conformity (pl) 425 kB, 15.08.2012

Code: mrl_azm161_pl

Operating instructions and Declaration of conformity (cs) 425 kB, 15.08.2012

Code: mrl_azm161_cs

Operating instructions and Declaration of conformity (pt) 420 kB, 02.02.2012

Code: mrl_azm161_pt

Operating instructions and Declaration of conformity (en) 445 kB, 01.08.2012

Code: mrl_azm161_en

Operating instructions and Declaration of conformity (de) 449 kB, 01.08.2012

Code: mrl_azm161_de

Operating instructions and Declaration of conformity (nl) 425 kB, 15.08.2012

Code: mrl_azm161_nl

Operating instructions and Declaration of conformity (jp) 541 kB, 15.08.2012

Code: mrl_azm161_jp

Operating instructions and Declaration of conformity (sv) 423 kB, 15.08.2012

Code: mrl_azm161_sv

Operating instructions and Declaration of conformity (es) 420 kB, 05.03.2012

Code: mrl_azm161_es

Operating instructions and Declaration of conformity (es) 425 kB, 03.08.2012

Code: mrl_azm161_es

Operating instructions and Declaration of conformity (pt) 426 kB, 03.08.2012

Code: mrl_azm161_pt

Operating instructions and Declaration of conformity (br) 796 kB, 16.12.2010

Code: mrl_azm161_br

Operating instructions and Declaration of conformity (it) 424 kB, 15.08.2012

Code: mrl_azm161_it

Operating instructions and Declaration of conformity (fr) 428 kB, 15.08.2012

Code: mrl_azm161_fr

BG-test certificate (de) 219 kB, 09.02.2010

Code: z_m16p01

BG-test certificate (en) 219 kB, 09.02.2010

Code: z_m16p02

CCC certification (en) 469 kB, 21.09.2012

Code: q_371p02

CCC certification (cn) 470 kB, 21.09.2012

Code: q_371p03

Gost certification (ru) 2 MB, 07.07.2011

Code: q_az1p01

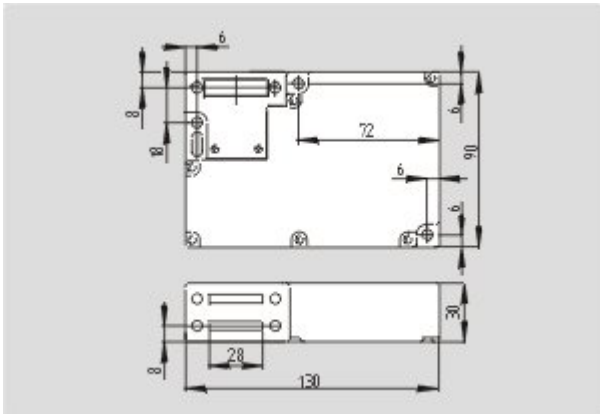
notice (de, en) 88 kB, 27.09.2007

Code: s_161p01

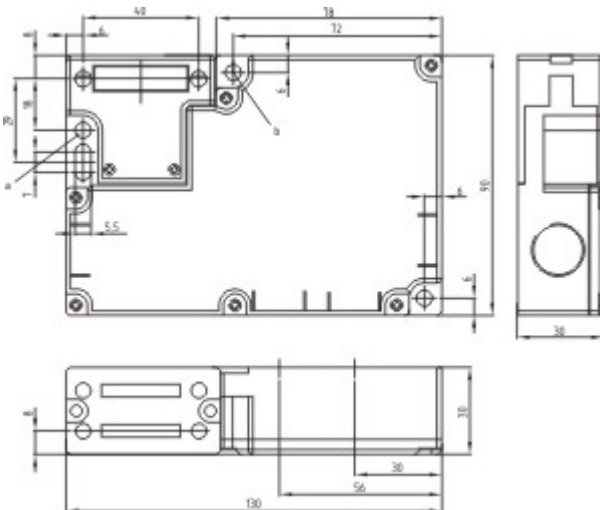
Images



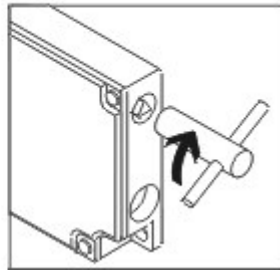
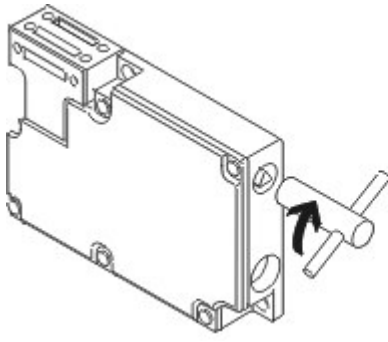
Product photo



Dimensional drawing (basic component)



Dimensional drawing (basic component)



Operating principle

System components

Actuator

101145117 - AZM 161-B1



101144416 - AZM 161-B1E



101171859 - AZM 161-B1ES



101175431 - AZM 161-B1F



101171125 - AZM 161-B1S



101173089 - AZM 161-B1-2053 WITH BALL LATCH



101164100 - AZM 161-B1-1747 WITH MAGNETIC LATCH



101178199 - AZM 161-B1-2024



101176642 - AZM 161-B1-2177 WITH CENTERING GUIDE



101174113 - AZM 161-B6-2177 WITH CENTERING GUIDE

- For very small actuating radii



101170375 - AZM 161-B6S



101144420 - AZM 161-B6

- For very small actuating radii



Door-handle system

AZM 161-ST30

- Latching handle
- Suitable for all types of guard



Accessories



101100887 - TRIANGULAR KEY M5

- For manual release using M5 triangular key, available as accessory
- For maintenance, installation, etc.



101149213 - Mounting set MS AZM 161 R/P



101150376 - Mounting set MS AZM 161 P

K.A. Schmersal GmbH, Möddinghofe 30, D-42279 Wuppertal

The data and values have been checked thoroughly. Technical modifications and errors excepted.

Generiert am 30.10.2012 - 17:13:04h Kasbase 2.2.2.F DBI

Image

Image
et=sS