

## Datasheet - AZ 15/16-B1-2245

Safety switch with separate actuator / AZ 15 / Actuator



Preferred typ

Damps vibration on guard device



(Minor differences between the printed image and the original product may exist!)

### Ordering details

Product type description	AZ 15/16-B1-2245
Article number	101137408
EAN code	4030661280912

### Global Properties

Product name	Gummigelagerter gerader Betätiger AZ 15/16-B1-2245
Weight	15 g

### Mechanical data

Design of actuators	straight, rubber mounting
Minimum actuating radius	150 mm

### notice

Minimum actuating radius on hinged guards 150 mm

Max. 200 Ncm tightening torque for mounting the actuator

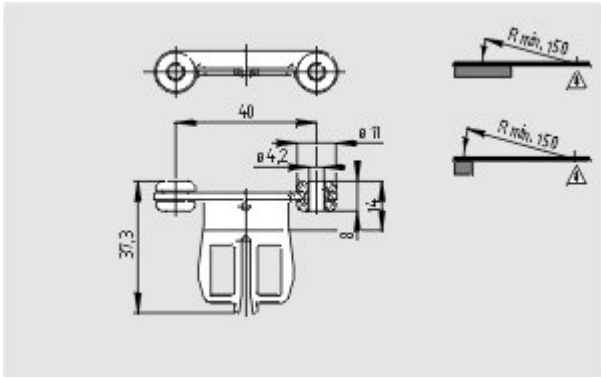
The axis of the hinge should be 14 mm above the top edge of the safety switch and in the same plane

### Documents

**Mounting and wiring instructions** (es, jp, de, en, fr, it) 267 kB, 29.08.2006

Code: m\_z15p02

### Images



Dimensional drawing (miscellaneous)

K.A. Schmersal GmbH, Möddinghofe 30, D-42279 Wuppertal

The data and values have been checked thoroughly. Technical modifications and errors excepted.

Generiert am 30.10.2012 - 16:25:57h Kasbase 2.2.2.F DBI

Image

Image  
et=sS  
e