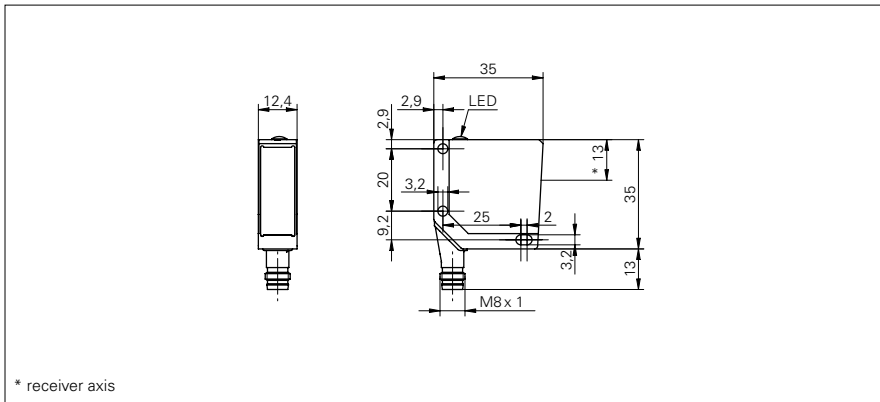


## Through beam sensors

## FEDM 12N5101/S35A

## dimension drawing



## general data

type	through beam sensor
emitter / receiver	receiver
actual range $S_b$	6 m
nominal range $S_n$	7,5 m
alignment / soiled lens indicator	flashing light indicator
light indicator	LED yellow
sensitivity adjustment	no

## electrical data

response time / release time	< 1 ms
voltage supply range +Vs	10 ... 30 VDC
current consumption max.	17 mA
current consumption typ.	17 mA
voltage drop Vd	< 1,8 VDC
output function	light / dark operate
output circuit	NPN
output current	< 100 mA
short circuit protection	yes
reverse polarity protection	yes

## mechanical data

width / diameter	12,4 mm
height / length	35 mm
depth	35 mm
type	rectangular
housing material	die-cast zinc
front (optics)	PMMA
connection types	connector M8 4 pin

## ambient conditions

operating temperature	-25 ... +65 °C
protection class	IP 67

## photo



## connection diagram

