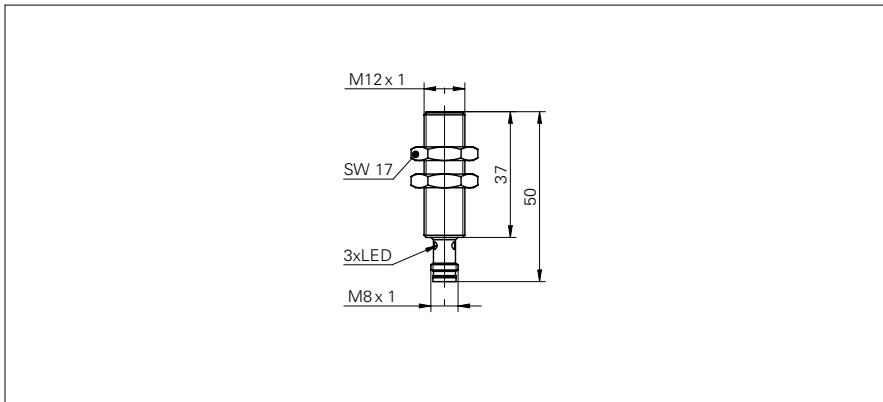


Inductive proximity switch

IFRM 12P1701/S35L

dimension drawing



general data

nominal sensing distance S_n	4 mm
hysteresis	3 ... 25 % of S_r
output indicator	3 port LED red
mounting type	shielded

electrical data

switching frequency	< 2 kHz
voltage supply range +Vs	12 ... 30 VDC
current consumption max.	18 mA
output circuit	PNP make function (NO)
voltage drop V_d	< 3 VDC
output current	< 200 mA
short circuit protection	yes
reverse polarity protection	yes

mechanical data

material (sensing face)	PBT
housing length	50 mm
connection types	connector M8
type	cylindrical threaded
dimension	12 mm
housing material	brass nickel plated

ambient conditions

operating temperature	-25 ... +75 °C
protection class	IP 67

photo



connection diagram



- M8 x 1 quick disconnect