



Product designation

Top roller push  
plunger

Product type designation

KSB1

**General characteristics**

Material

Housing

Polymer  
thermoplastic

**Contact characteristics**

Type of contact

1NO/NC

Thermal current I<sub>th</sub>

A 15

IEC/EN 60947-5-1 designation

A600 P300

Rated insulation voltage U<sub>i</sub>

V 250

Switching speed

|     |     |      |
|-----|-----|------|
| min | m/s | 0.01 |
| max | m/s | 1    |

Operating speed

|     |     |      |
|-----|-----|------|
| min | m/s | 0.05 |
| max | m/s | 1    |

IEC Conventional free air thermal current I<sub>th</sub>

A 15

Resistance per pole (average value)

mΩ <15

Conductivity

10mA 5V

**Mechanical features**

Terminals type

Screw

Operating head fixing

Fixed

Operating torque

|      |     |
|------|-----|
| N    | 2.5 |
| ozin | 9   |

Weight

g 57

**Operations**

Mechanical life

cycles 20000000

Electrical life

cycles 500000

Mechanical operation

cycles/h 240

**Ambient conditions**

Temperature

Operating temperature

|     |    |     |
|-----|----|-----|
| min | °C | -25 |
| max | °C | +70 |

Storage temperature

|     |    |     |
|-----|----|-----|
| min | °C | -40 |
| max | °C | +70 |

**Resistance & Protection**

IP degree

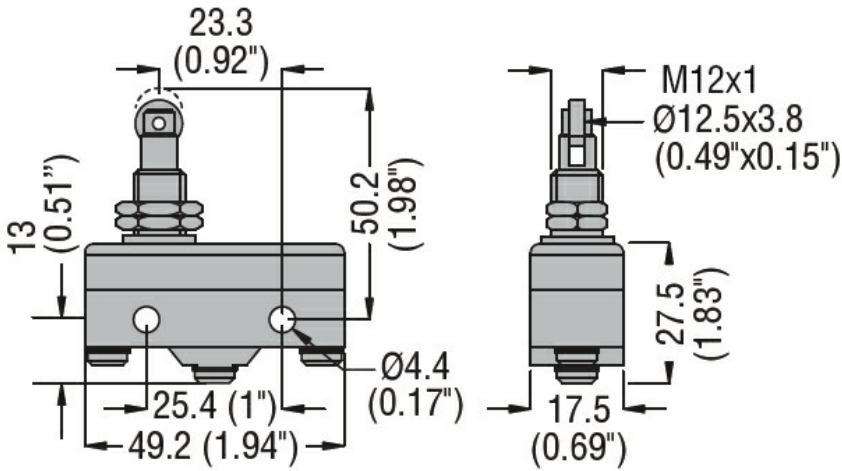
Body housing

IP00 or IP20 with  
terminal shroud

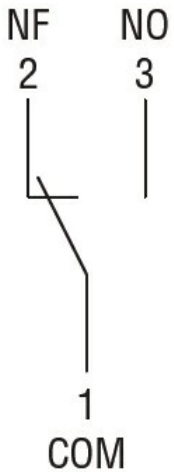
Pollution degree

3

Dimensions [mm (in)]



Wiring diagrams



Certifications and compliance

Compliance

CSA C22.2 n° 14.

IEC/EN 60947-1

IEC/EN 60947-5-1

IEC/EN 61058-1

UL508

Certificates

cURus

EAC

ETIM classification

ETIM 8.0

EC000030 - End switch