

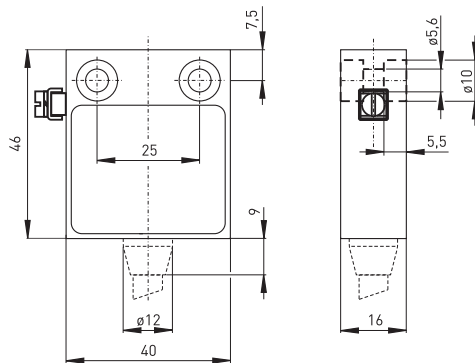
Ex position switches // EEx 12

Features/Options

- Ex zone 1 and 2, as well as 21 and 22
- Metal enclosure
- Snap action, change-over contact with single break

- Suitable for in-line mounting
- With pre-wired cable, cable length 1 meter
- Special version only for equipment category 3D, available for dust Ex zone 22

Dimensions



Technical data

Standards	IEC/EN 60947-5-1
Enclosure	GD-AL alloy
Protection class	IP 65 according to IEC/EN 60529
Contact material	silver
Switching elements	change-over contact with single break
Switching system	snap action
Connection	cable H05VV-F
Cable section	4 x 0.75 mm ²
U _{imp}	4 kV
U _i	250 V
I _{the}	5 A
Utilisation category	AC-15; DC-13
I _e /U _e	5 A/250 VAC; 0,16 A/230 VDC
Max. fuse rating	5 A gL/gG D-fuse
Mechanical life	> 1 million operations
Switching frequency	1800/h
Ambient temperature	-20 °C ... +60 °C, +75°C bei T5
Mechanical life	> 1 Million Schaltspiele
Switching frequency	1800/h
Repeat accuracy	± 0,1 mm
Contact gap	-
Ex certification	⊕ II 2G EEx d IIC T6, II 2D IP65 T80°C
Approvals	PTB 03 ATEX 1067 X

Errata and technical changes reserved.